



BT7174

LARGE GLASS SHELF

INSTALLATION GUIDE & PARTS LIST

This Pack Contains 1 shelf

PLEASE KEEP THIS FOR FUTURE REFERENCE



FEATURES

- Designed for AV equipment up to 7.5kg using one shelf mount or 15kg using two shelf mounts
- Can be mounted across 1 or 2 poles
- Shelf dimensions: 500mm x 380mm
- 10mm thick tempered safety glass
- Must be pole mounted with a BT7841, BT7052, BT4041 or BT7260 accessory collar (sold separately)



CAUTION!! GLASS
 This item contains glass -
 Handle with care to avoid
 damage or injury



When used with
 1 glass shelf mount



When used with
 2 glass shelf mounts



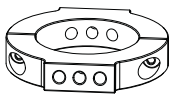
CONTENTS

Installation Safety Notes.....	2
Parts List.....	4
Sample Installations.....	5
Product Dimensions.....	7
B-Tech Contact Details.....	8

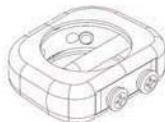
DESIGNED FOR USE WITH (SOLD SEPARATELY):

ø50mm Collars

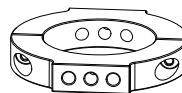
ø60mm Collars



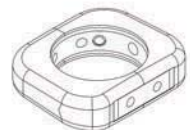
BT7841



BT7052



BT4041



BT7260

B-TECH AUDIO VIDEO MOUNTS

www.btechavmounts.com

INSTALLATION SAFETY INSTRUCTIONS



CAUTION: This shelf is intended for use only with the maximum weights indicated. Use with AV equipment heavier than the maximum indicated may result in instability causing possible injury.

Do not attempt to install this product until all instructions and warnings have been read and properly understood. Please keep these instructions for future reference.

B-Tech International Limited, its distributors and dealers are not liable or responsible for damage or injury caused by improper installation, improper use or failure to observe these safety instructions. In such cases, all guarantees will expire.

General

Great care must always be taken during installation as most AV equipment is of a fragile nature, possibly heavy and easily damaged if dropped.

If you do not fully understand the instructions or are not sure how to install this product safely, then please consult a professional for advice and/or to install this product for you. Failure to mount this product correctly may cause serious injury or death both during installation and at any time thereafter.

Do not mount any AV equipment that exceeds the specific weight limit of the product you are installing. This weight limit will be clearly stated on each product and its packaging and will vary from product to product.

Product location

Please pay careful attention to where this product is located. Some locations are not suitable for installation.

If located in a public or frequently populated area ensure that the product is out of the immediate reach of people.

Fixing hardware

It is highly recommended that all fixing screws be used where supplied and that the purpose of all other fixing hardware is fully understood. In some cases more AV equipment fixing hardware will be supplied to accommodate different models of equipment and set up configurations.

The installer must be satisfied that any supplied fixing hardware is suitable for each specific installation. If any fixing screws or included hardware are deemed not sufficient for a safe installation then please consult a professional or your local hardware store.

Hazard limitation

When routing cables take advantage of any built in cable management features that the product might provide and ensure that all cables are tidy and secure. Check to see that any moving aspect of the product can do so unhindered by any cabling.

Some products have moving parts and the potential to cause injury through the crushing or trapping of fingers or other body parts.

Particular attention to the nature of moving parts is required especially when assembling installing and adjusting during set up.

Immediately after installations double-check that the work done is safe and secure. Double-check all necessary fixings are present and are of ample tightness.

It is recommended that periodic inspections of the product and its fixing points are made as frequently as possible to ensure that safety is maintained. If in doubt consult a professional AV installer or other suitably qualified person.

CS

Společnost B-Tech International Ltd. doporučuje provést instalaci tohoto produktu prostřednictvím odborného instalátora AV či jinak způsobilé osoby. Společnost B-Tech International Ltd, její distributoři a prodejci nenesou odpovědnost za škody nebo zranění způsobená nevhodnou instalací. Tento výrobek je nutno umístit do vhodné konstrukce a používat jen po uvedené maximální výšce.

DE

B-Tech International Ltd. empfiehlt, dass dieses Produkt durch einen qualifizierten AV-Techniker oder eine andere Person mit geeigneter Qualifikation installiert wird. B-Tech International Ltd, ihre Distributoren und Händler können nicht für durch fehlerhafte Montage verursachte Beschädigung oder Verletzung haftbar bzw. verantwortlich gemacht werden. Dieses Produkt muss auf eine geeignetem Untergrund montiert werden und darf nur bis zum angegebenen Höchstgewicht verwendet werden.

ES

B-Tech International Ltd. recomienda que un instalador de audio y vídeo profesional u otra persona debidamente cualificada instalen este producto. B-Tech International Ltd, sus distribuidores y concesionarios no se hacen cargo ni se responsabilizan de ningún daño o lesión provocados por una instalación inapropiada. Este producto se debe montar en una estructura adecuada y se debe utilizar soportando solamente hasta el peso máximo indicado.

FR

B-Tech International Ltd. recommande de confier l'installation de ce produit à un installateur AV professionnel ou à une autre personne dûment qualifiée. B-Tech International Ltd, ses distributeurs et ses revendeurs ne sauraient être tenus responsables de tout dégât ou de toute blessure résultant d'une installation incorrecte. Ce produit doit être monté sur un support approprié et utilisé dans la limite du poids maximum indiqué.

IT

B-Tech International Ltd. consiglia di affidare l'installazione di questo prodotto a un installatore specializzato o ad altra persona adeguatamente qualificata. B-Tech International Ltd, i suoi distributori e rivenditori non accettano alcuna responsabilità nei riguardi di eventuali danni o infortuni causati da un'errata installazione. Questo prodotto deve essere fissato a una struttura idonea e utilizzato unicamente sino al peso massimo indicato.

NL

B-Tech International Ltd. adviseert om dit product te laten installeren door een professionele AV-installateur of andere hiervoor gekwalificeerde persoon. B-Tech International Ltd, haar distributeurs en dealers zijn niet aansprakelijk of verantwoordelijk voor schade of letsel die is veroorzaakt door onoordeelkundige installatie. Dit product moet worden gemonteerd aan een geschikte constructie, waarbij het aangegeven maximum gewicht niet mag worden overschreden.

PL

Firma B-Tech International Ltd. zaleca, aby ten produkt był instalowany przez profesjonalnych instalatorów AV lub inny odpowiednio przeszkolony personel. Firma B-Tech International Ltd, jej dystrybutorzy i dealerzy nie ponoszą odpowiedzialności za uszkodzenia lub obrażenia ciała powstałe w wyniku nieprawidłowej instalacji. Niniejszy produkt musi być zamontowany na odpowiedniej powierzchni, a podczas użytkowania nie wolno przekraczać podanego maksymalnego obciążenia.

PT

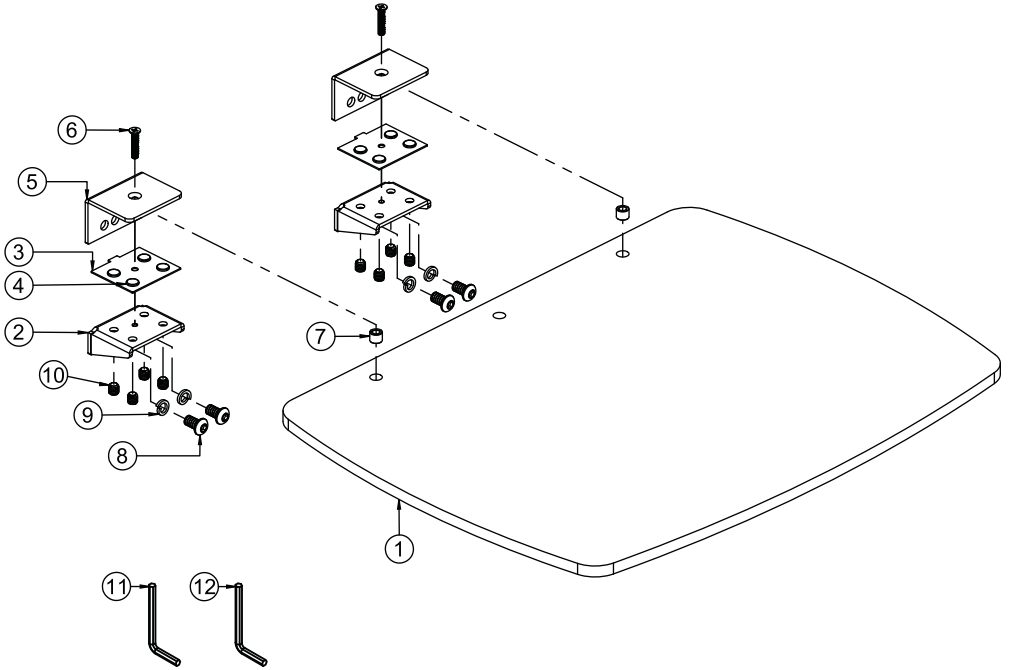
A B-Tech International Ltd. recomenda que a instalação deste produto seja efectuada por um instalador de AV profissional ou outra pessoa devidamente habilitada. A B-Tech International Ltd. e os seus distribuidores e concessionários não são responsáveis por danos ou lesões causados por uma instalação incorrecta. Este produto tem de ser montado numa estrutura adequada e utilizado somente até ao peso máximo indicado.

RU

Компания B-Tech International Ltd. рекомендует, чтобы установка данного изделия производилась инженером по установке аудио-видеотехники или другим специалистом с соответствующей квалификацией. Компания B-Tech International Ltd., ее дистрибьюторы и дилеры не несут ответственности за повреждения или травмы, полученные в результате неправильной установки. Данное изделие должно

توصي بي-تيك للتجارة الدولية المحدودة بأن شخص محترف في تركيب ال AV او شخص مؤهل تأهيلا مناسباً لتركيب هذا المنتج. بي-تيك للتجارة الدولية، موزعيها والتجار ليست عرضة أو مسؤولة عن الأضرار أو الإصابات الناجمة عن تركيب غير سليم، والاستخدام غير السليم أو عدم مراعاة هذه التعليمات للسلامة. يجب أن يتم تركيب هذا المنتج في بنية مناسبة ويجب استخدام فقط لدعم الحد الأقصى للوزن المشار إليه.

BT7174 PARTS LIST



Suitable for loads
up to 7.5kg
using 1
shelf mount

Suitable for loads
up to 15kg
using 2
shelf mounts

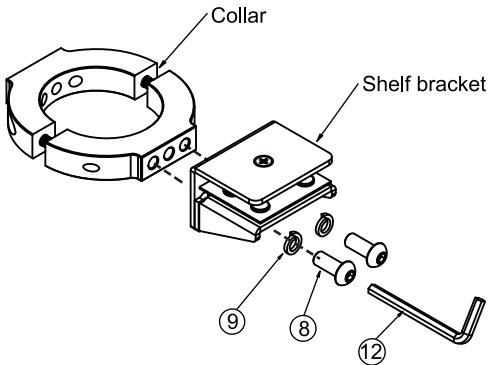
REF	DESCRIPTION	QTY
1	500mm x 380mm GLASS SHELF	1
2	BRACKET	2
3	DAMPER PLATE	2
4	RUBBER PAD	8
5	L CLAMP	2
6	M5 x 25mm SCREW	2
7	8mm SPACER	2
8	M8 x 14mm SCREW	4
9	M8 SPRING WASHER	4
10	M8 x 8mm GRUB SCREW	8
11	4mm HEX KEY	1
12	5mm HEX KEY	1

PLEASE KEEP THIS FOR FUTURE REFERENCE

INSTALLATION INSTRUCTIONS

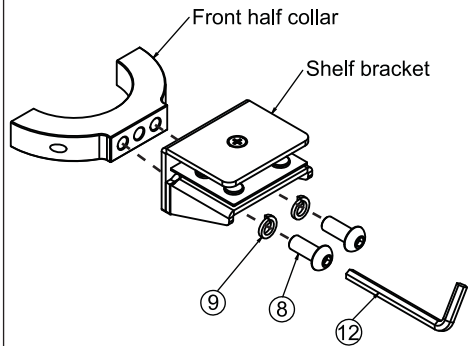
1

Attach the shelf bracket to the collar* using the M8 x 14mm screws (Part 8) and M8 spring washers (Part 9).



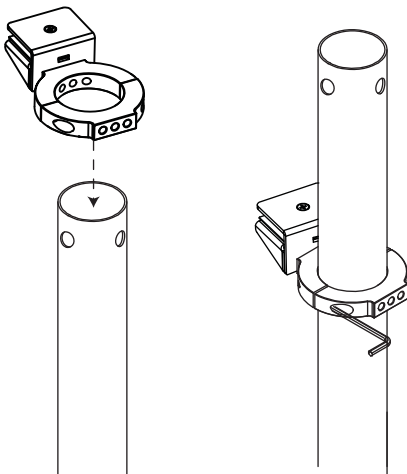
*BT4041/BT7841 2-piece collars supplied separately
BT7052 and BT7260 full collars can also be used

Retro fitting bracket and collar to a pole.
Attach the shelf bracket to the front half of the collar (BT4041 / BT7841) using the M8 x 14mm screws (Part 8) and M8 spring washers (Part 9).

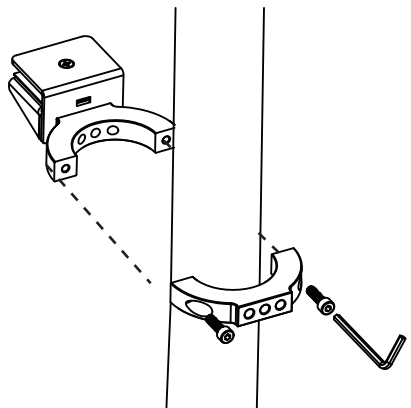


2

Slide the collar onto the pole and fasten the M6 x 20mm screws tightly (Ensuring the gap between the collar halves on the both sides are equal).



Retro fitting the collar onto pole.
Attached glass shelf bracket to the front half of collar. Position collar on pole and fit the 2 collar halves together by tightening the M6 x 20mm screws (supplied with the collar).

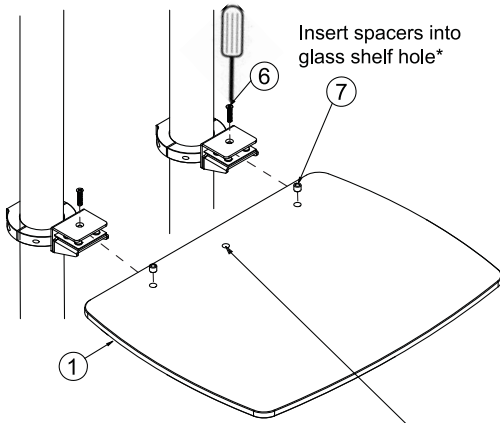


3

i. Undo the M5 x 25mm screws (Part 6) and remove the spacers (Part 7).

ii. Insert the spacers (Part 7) into the outside holes on the glass shelf*.

iii. Slide the glass shelf into the gap on the shelf bracket so it is resting on the rubber pads (Part 4) and secure in place by tightening the M5 x 25mm screws (Part 6).

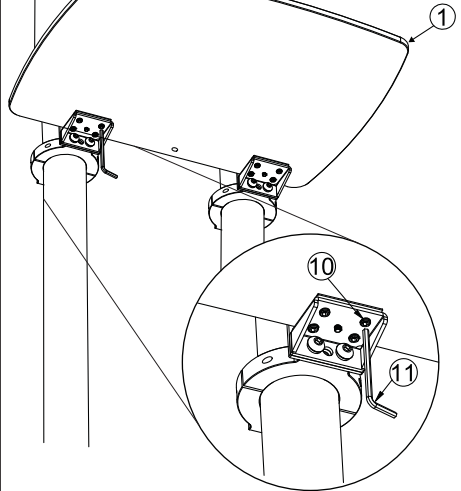


*For single pole mounting use the centre hole.

4

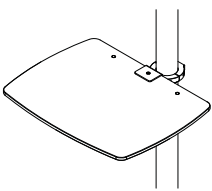
Underneath the shelf, tighten the grub screws (Part 10) to secure shelf to bracket.

The shelf angle can be adjusted. To tilt the shelf upwards, tighten the front two grub screws on both brackets (part 10).

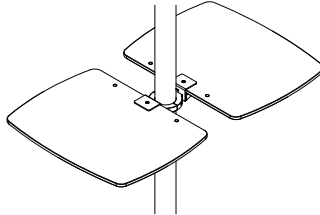


INSTALLATION EXAMPLES

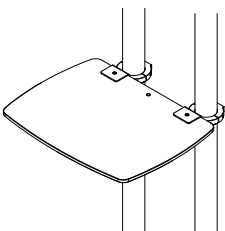
Single pole installation



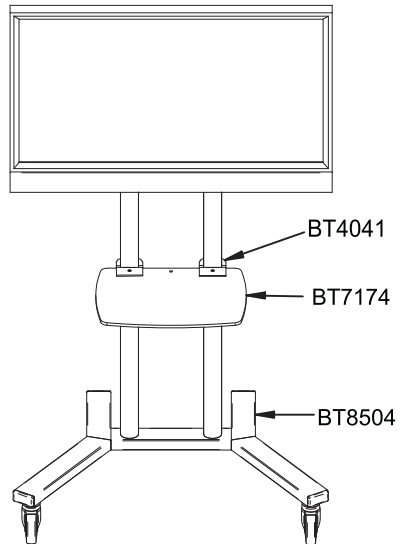
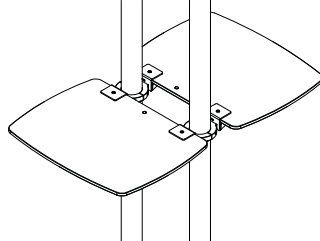
Back to back on a single pole



Double pole installation

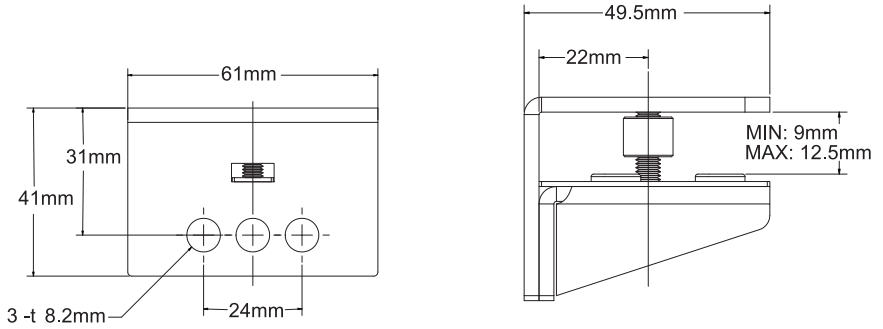


Back to back on a double pole

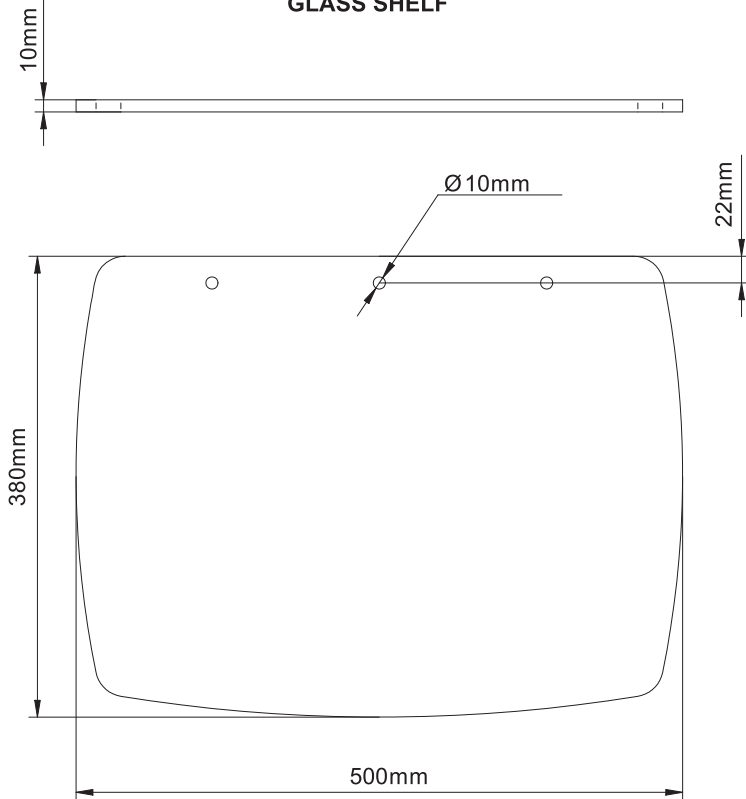


**BT7174
PRODUCT DIMENSIONS**

SHELF BRACKET



GLASS SHELF



TEMPERED GLASS: Meets BS6206

THESE INSTRUCTIONS ARE INTENDED AS A GUIDE ONLY AND B-TECH ACCEPTS NO LIABILITY FOR THE ACCURACY OF THE INFORMATION CONTAINED IN THIS DOCUMENT.



www.btechavmounts.com

B-TECH AUDIO VIDEO MOUNTS

HEAD OFFICE

B-Tech International Limited

Bennett House, Long March, Daventry, Northants., NN11 4NR, UK

Email: info@btechavmounts.com

©2015 B-Tech International Limited. All rights reserved.

B-Tech Audio Video Mounts is a division of B-Tech International Limited.

B-Tech, Better By Design, System 2 and Pro Install are registered trademarks of B-Tech International Limited.

All other brands and product names are trademarks of their respective owners.

Photographs are for illustrative purposes only. E&OE.

AMA-BT7174-V1-0315-44 Made in P.R.C.